

**M12 male 90° / M12 male 90° shielded Ethernet**

PUR 2x2xAWG22 shielded bk UL/CSA+drag chain 1,7m

Ethernet CAT5

Male 90° – male 90°

M12 – M12, 4-pole

D-coded

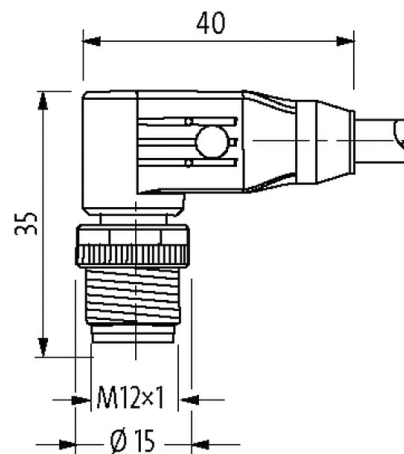
shielded

Transmission properties with channel transmission up to 100 m

Further cable lengths on request.

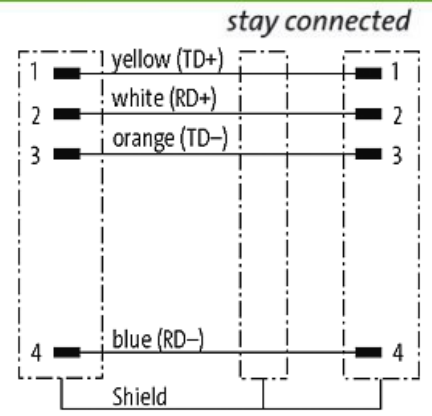
Plastic housings with good resistance against chemicals and oils.

The resistance to aggressive media should be individually tested for your application. Further details on request.

**Illustration**

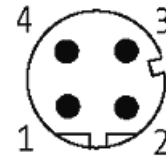
Product may differ from Image

**Sketch**



Male

Male



Product may differ from Image